

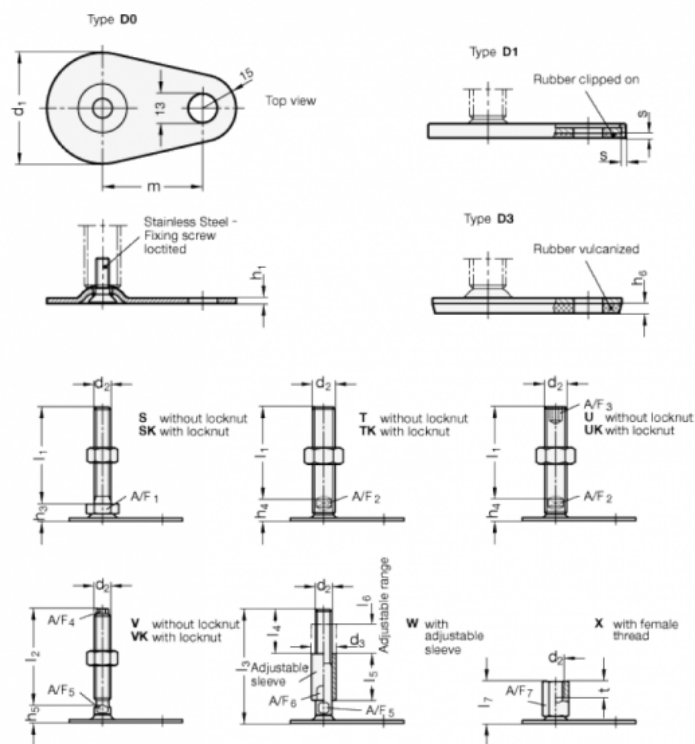
Article number: 204360M1675D3V

Description: E+G levelling foot

GN 43-60-M16-75-D3-V

Note: V Without nut, External hexagon at the top, Wrench flat at the bottom

Measures



A/F4 = 10	m = 50
A/F5 = 12	s =
d1 = 60	
d2 = M16	
h1 = 2.5	
h5 = 14	
h6 = 4.5	
l2 = 75	